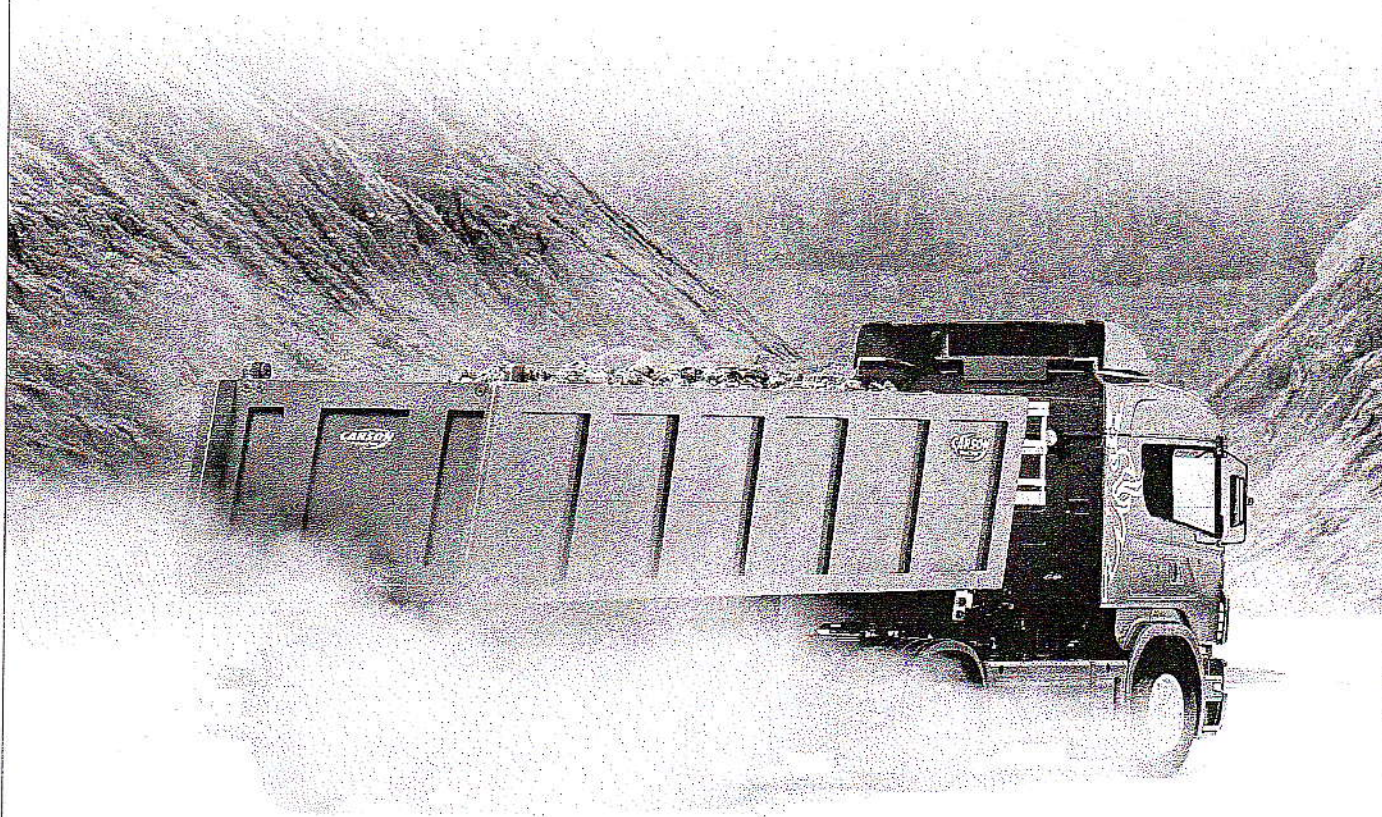


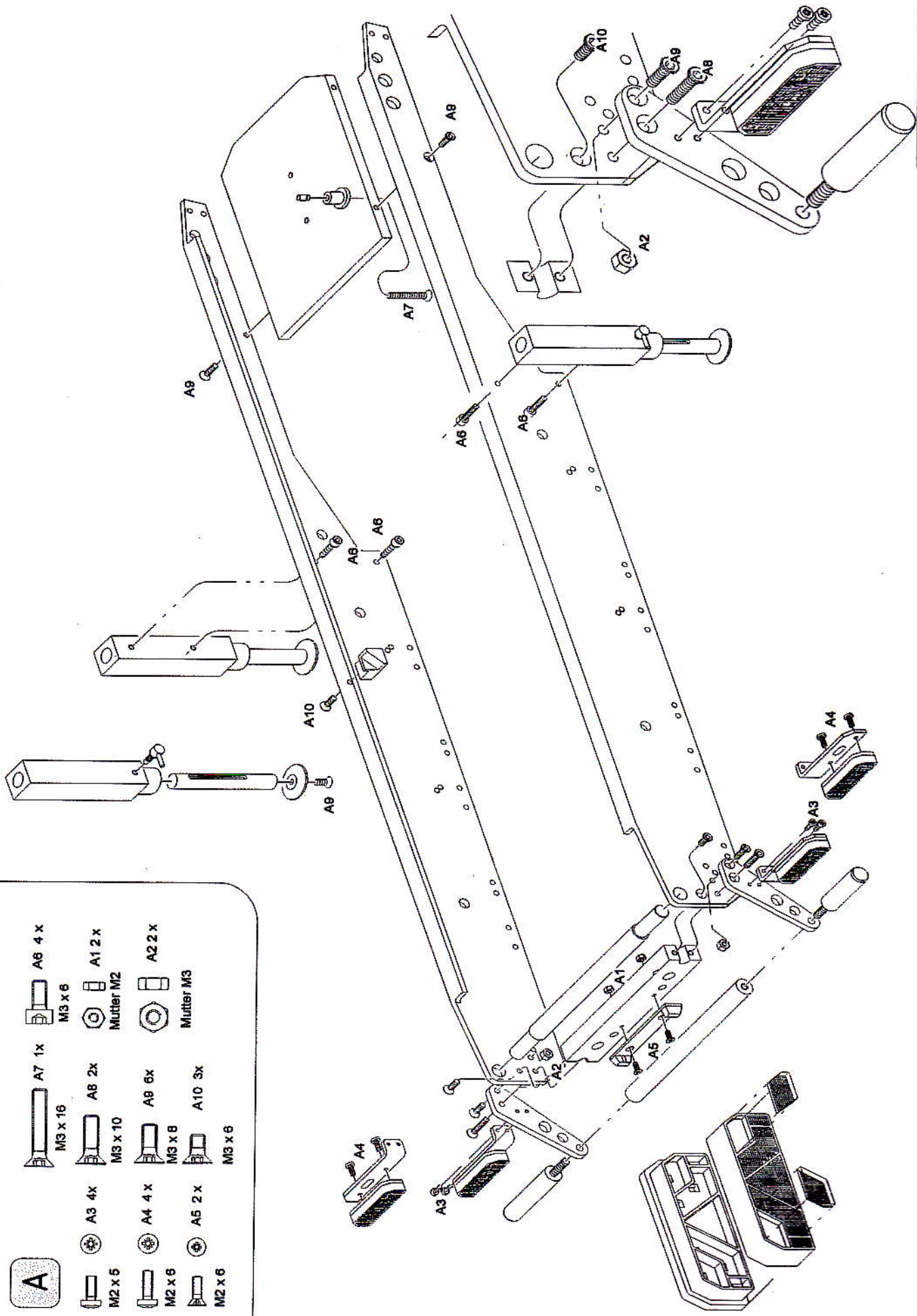


3-Achs Hinterkipp Sattelauflieger

- Ⓞ GB Instruction manual
- Ⓞ D Bauanleitung
- Ⓞ F Mode d'emploi
- Ⓞ E Instrucciones
- Ⓞ I Istruzioni d'uso

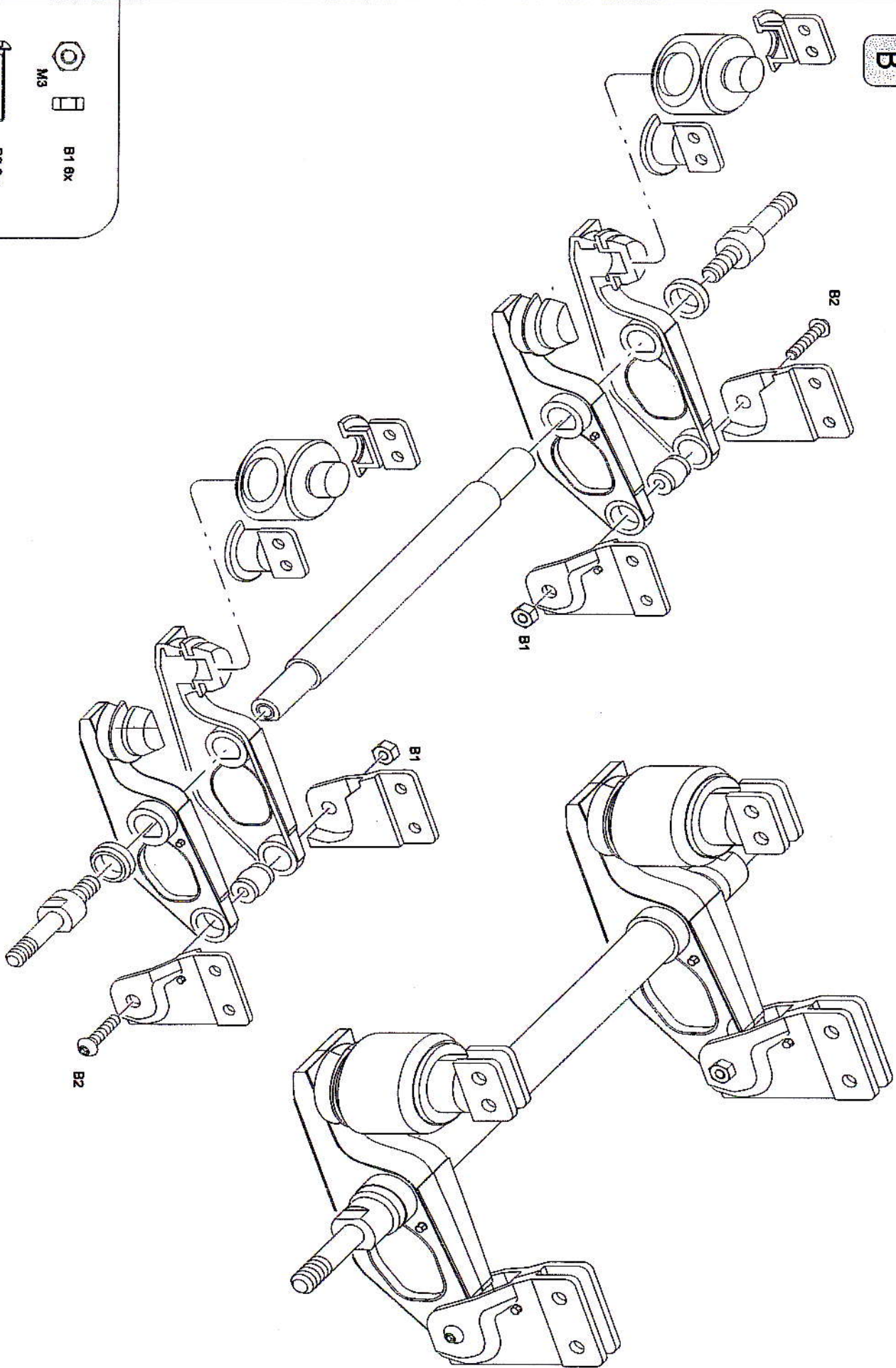



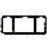


CARSON 3-Achs Hinterkipp Sattelauflieger
Art.nr.: 50 090 7050

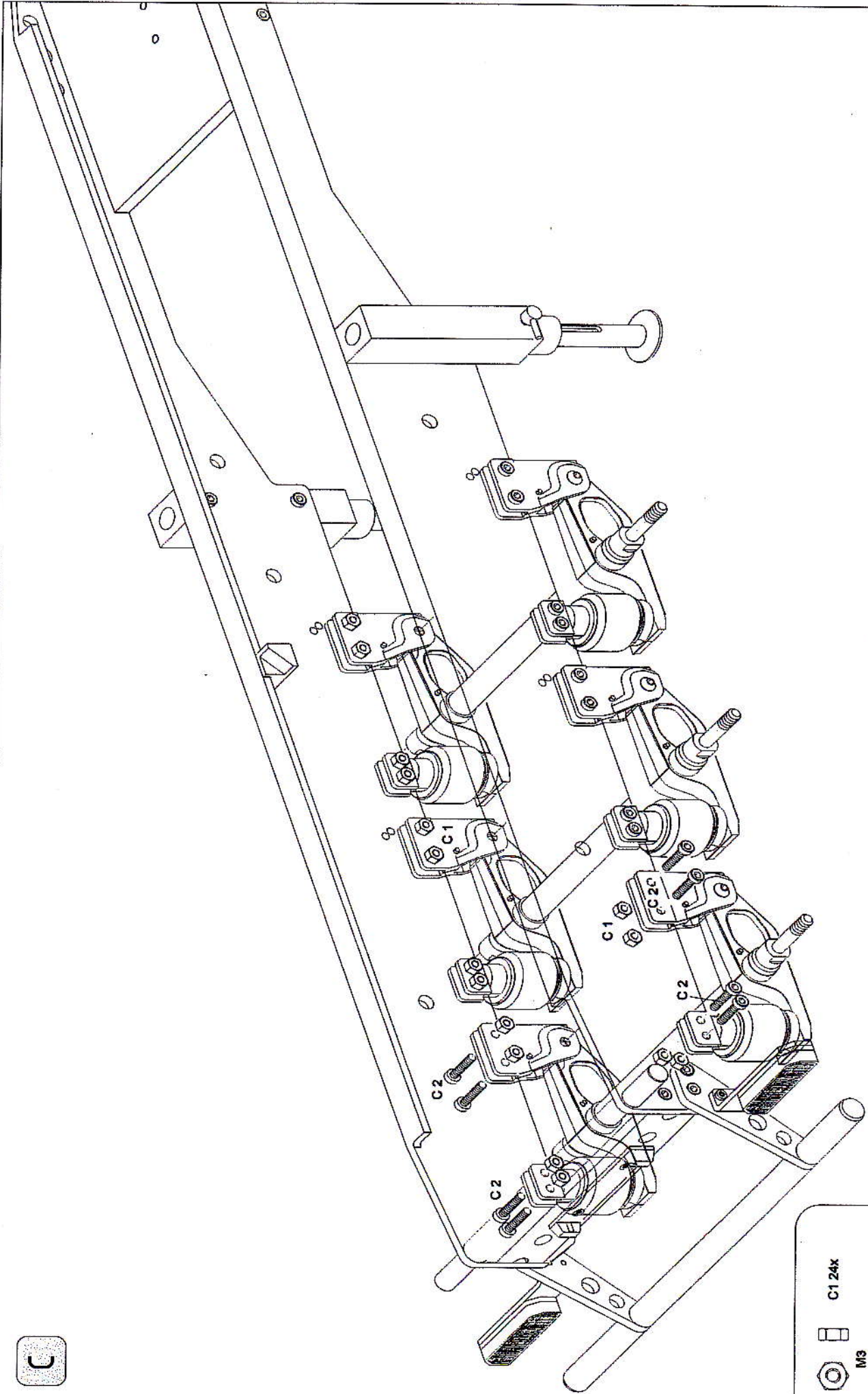






- | | | |
|------------------|------------------|---------------------|
| A | A7 1x
M3 x 16 | A6 4 x
M3 x 6 |
| A3 4x
M2 x 5 | A8 2x
M3 x 10 | A1 2 x
Mutter M2 |
| A4 4 x
M2 x 6 | A9 6x
M3 x 8 | A2 2 x
Mutter M3 |
| A5 2 x
M2 x 6 | A10 3x
M3 x 6 | |

B

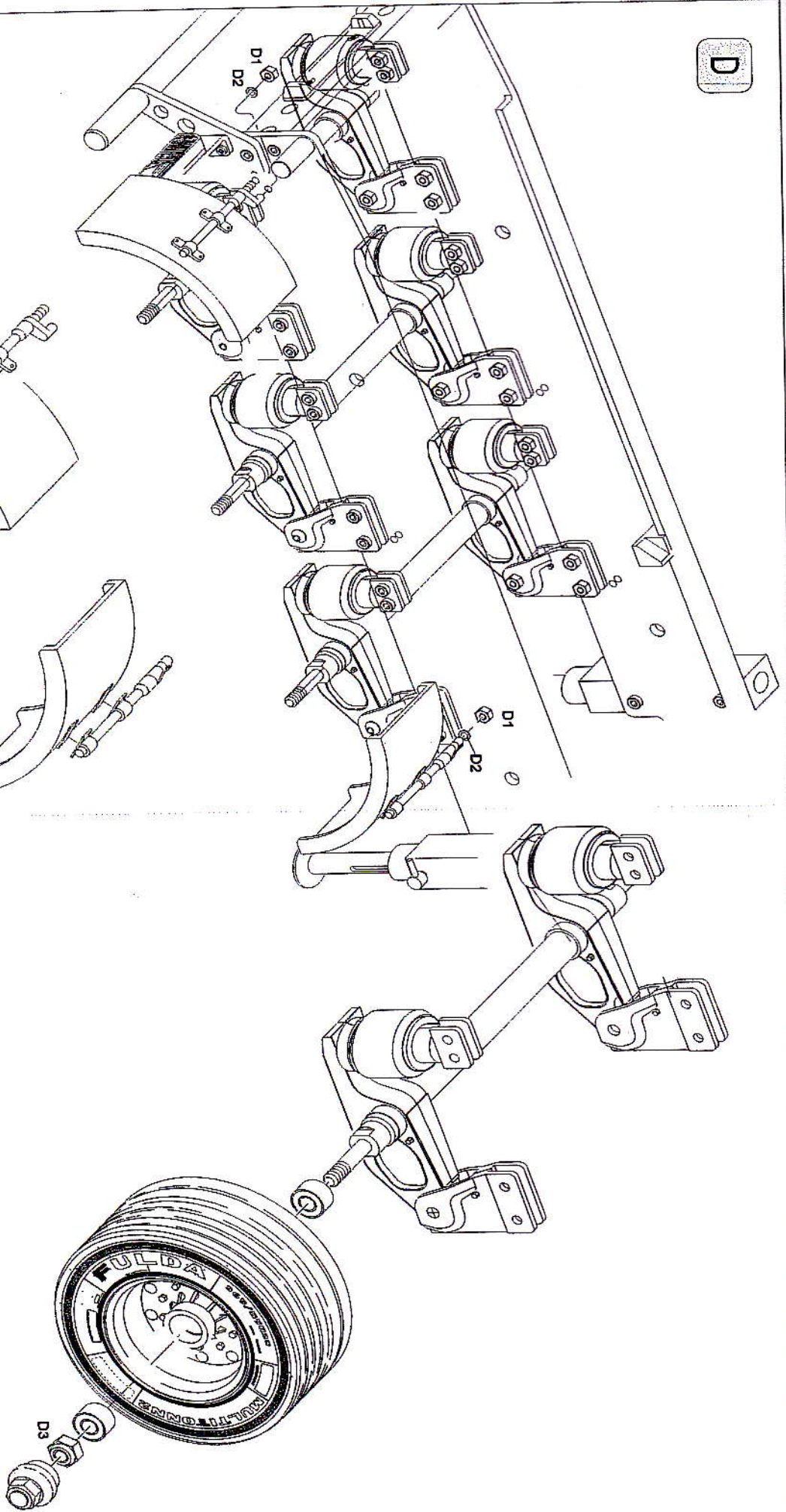


-  M3
-  B1 6x
-  M3x14
-  B2 6x

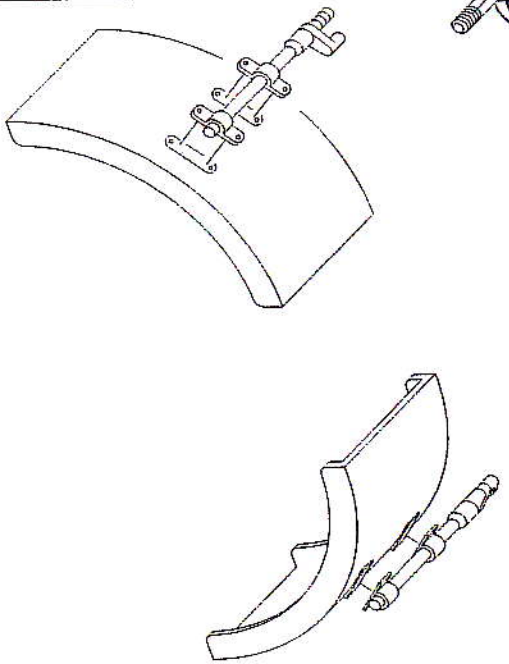


-  C1 24x
-  M3
-  C2 24x
-  M3 x 10

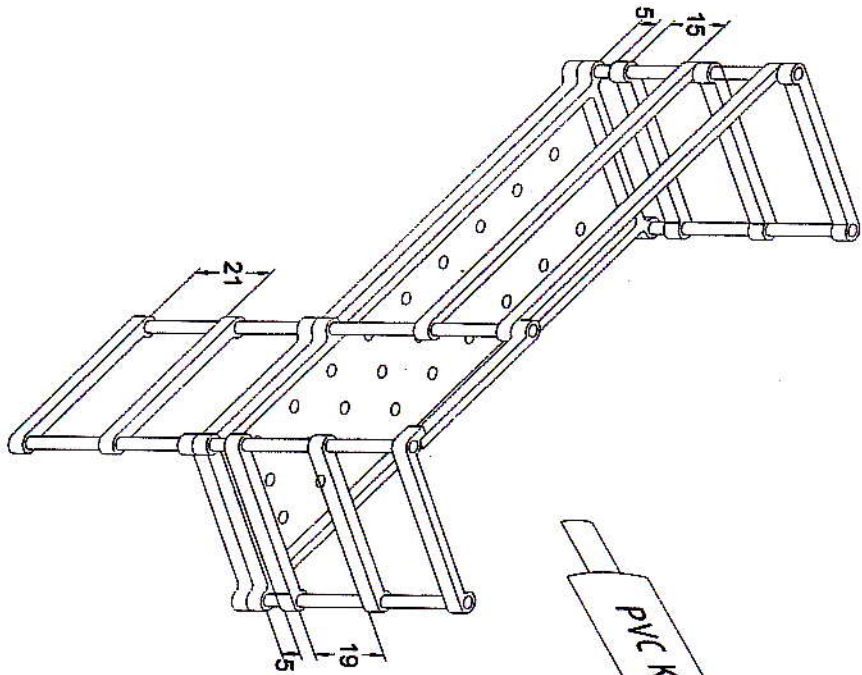
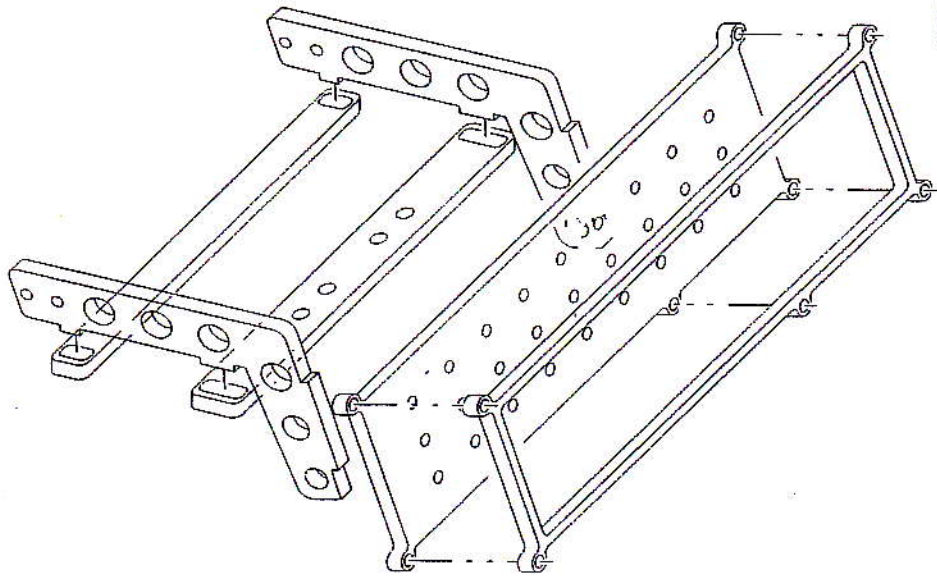
D



	M3		D1 4 X
	D=3,2		D2 4 X
	Stopnutter M5		D3 6 X

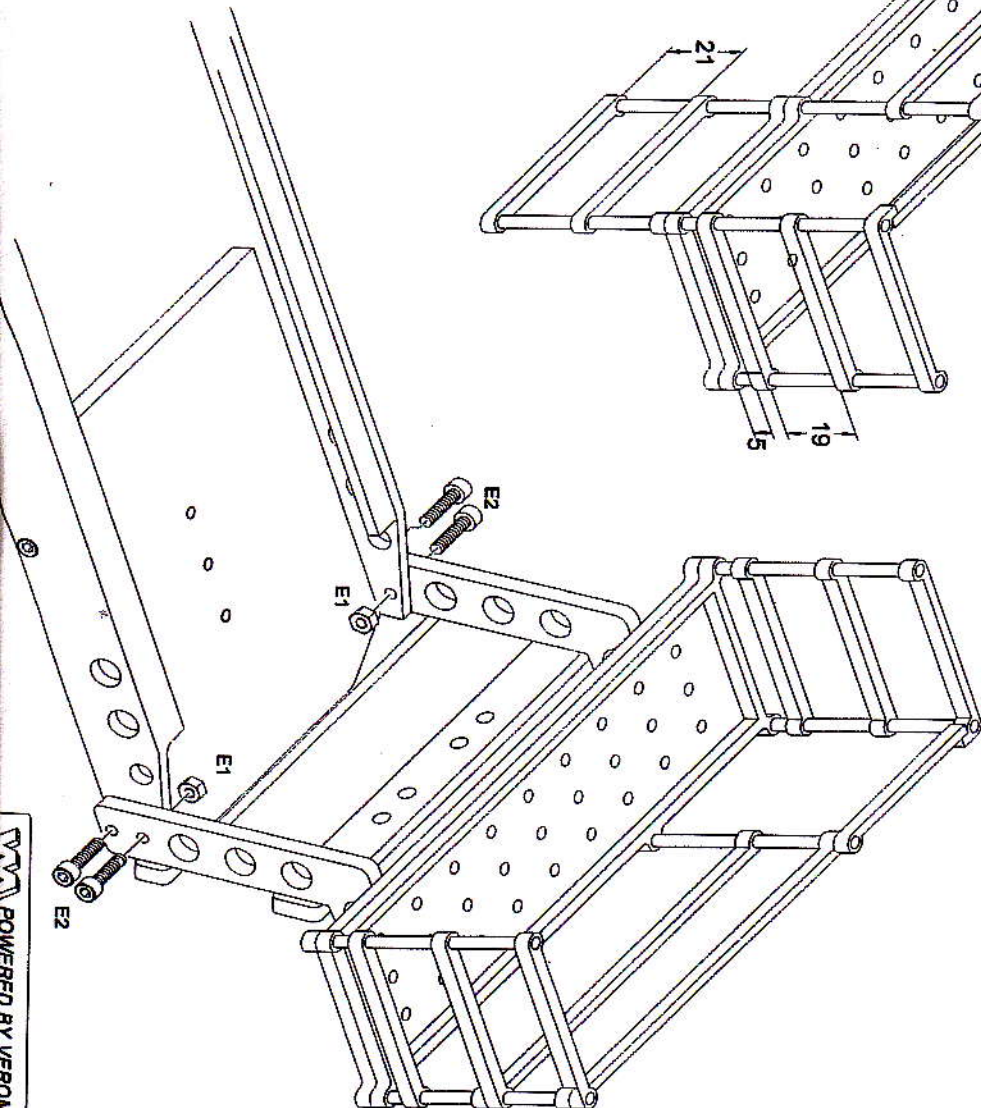


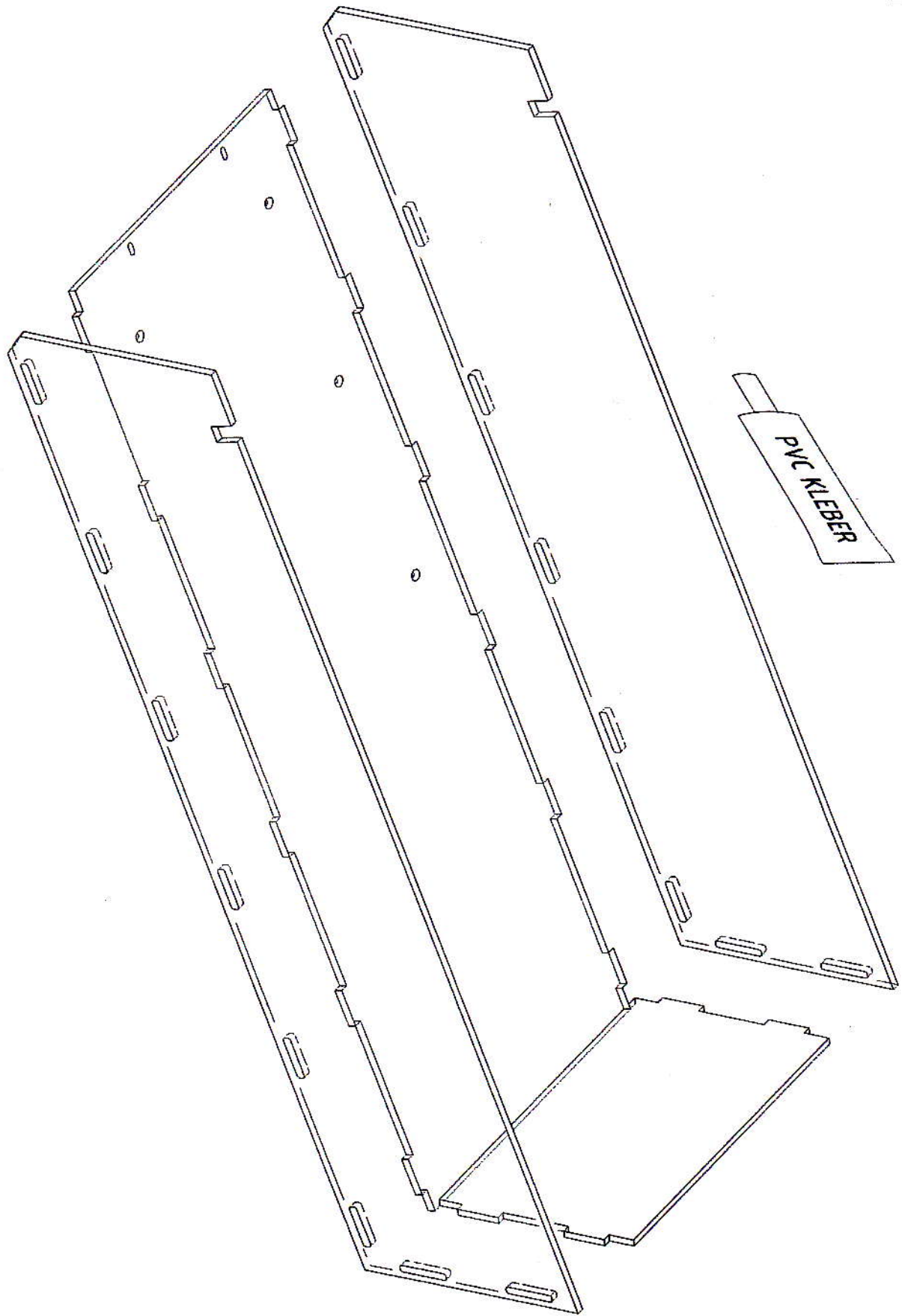
E

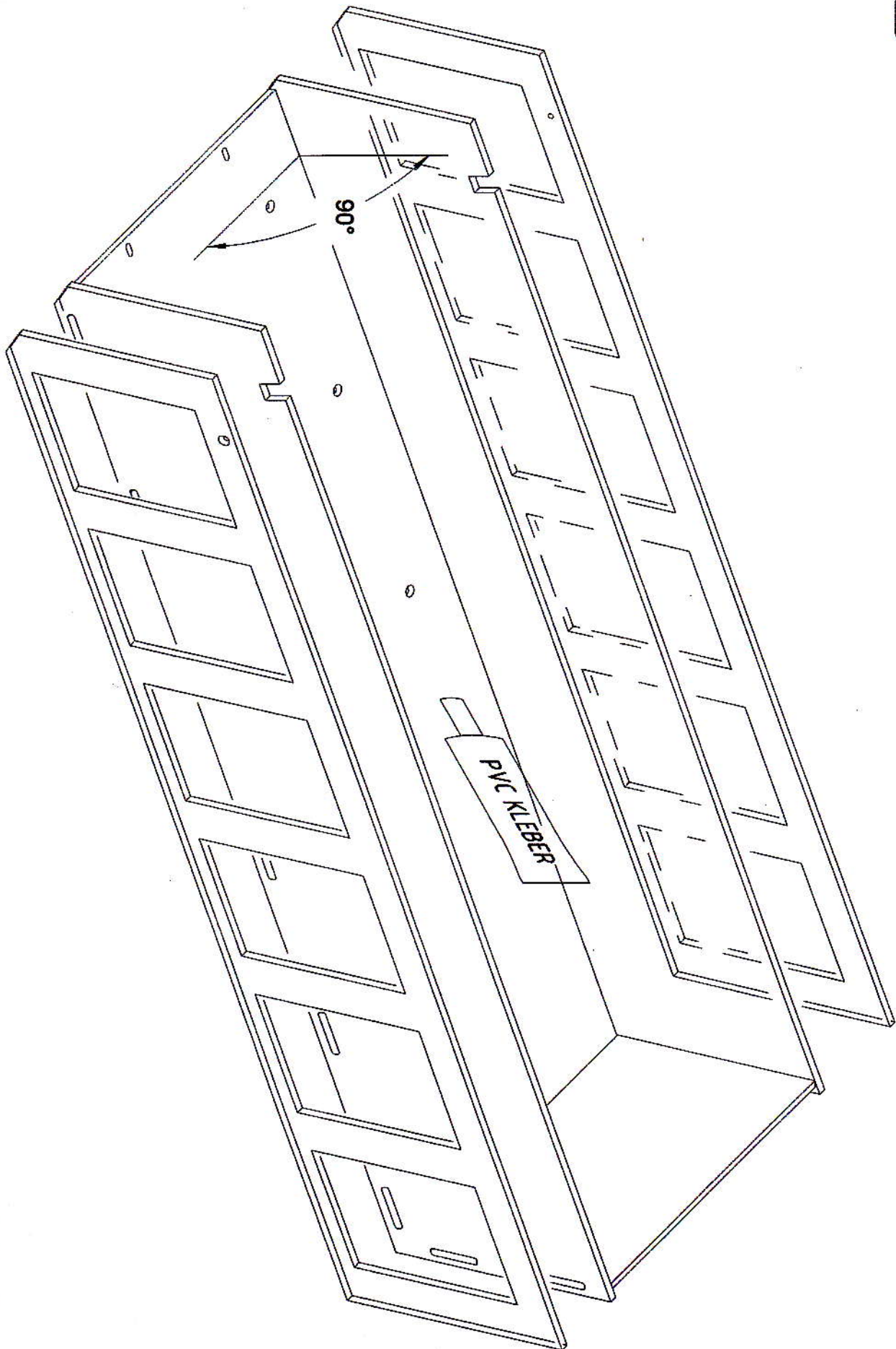


PVC KLEBER

- M3
- E1 2x
- M3 x 10
- E2 4x

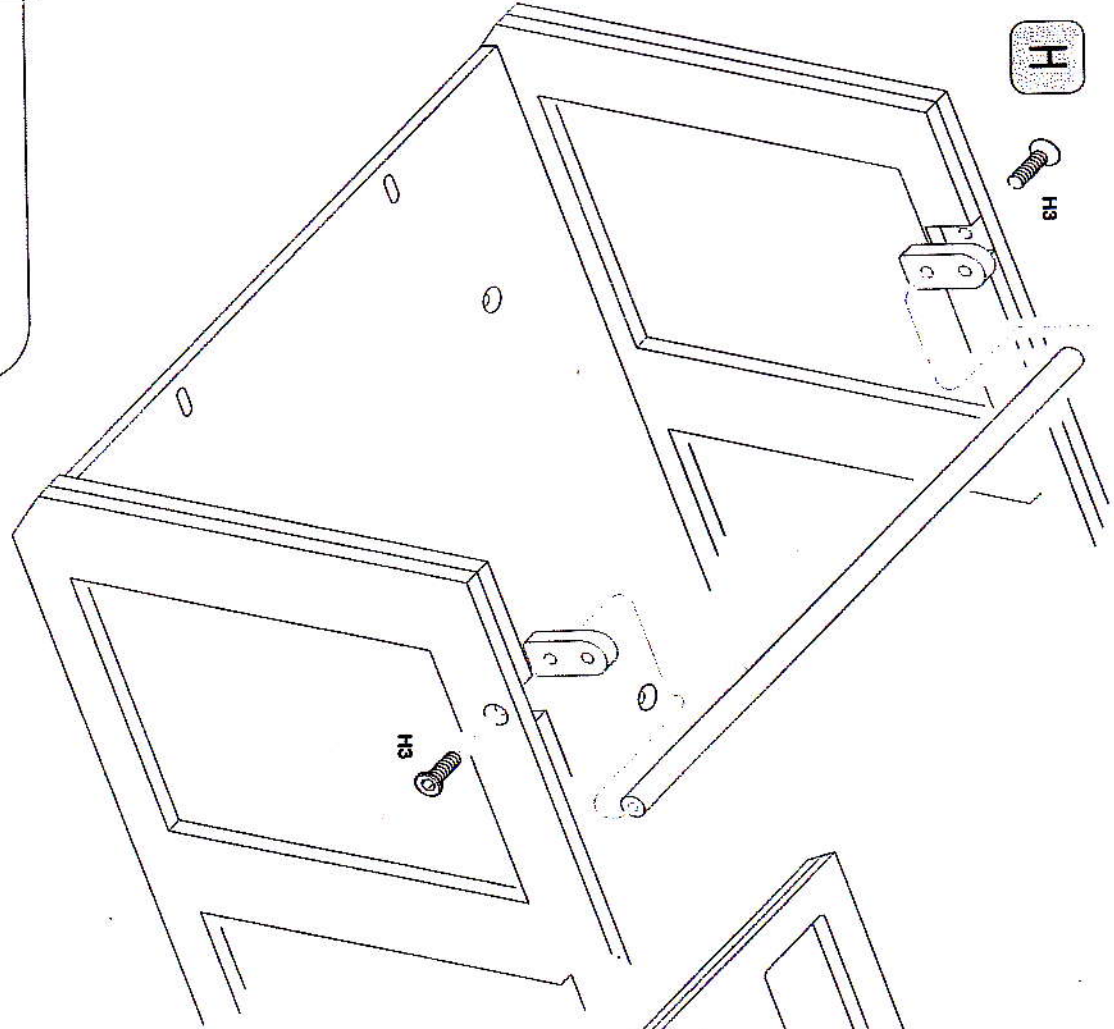




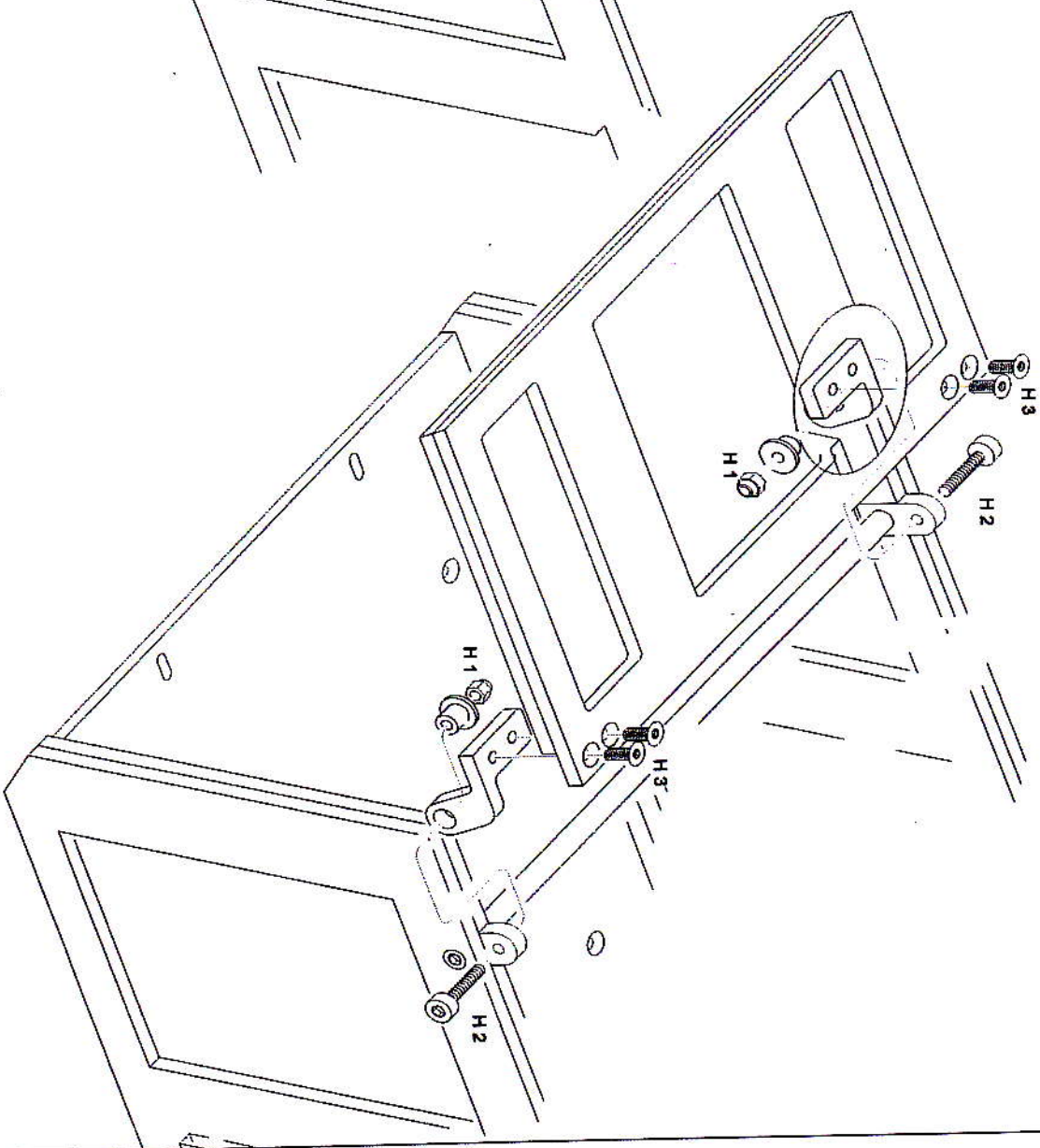


H

H3



H3



H3







H2

H1

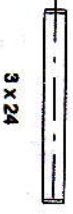
H1

H3

H2

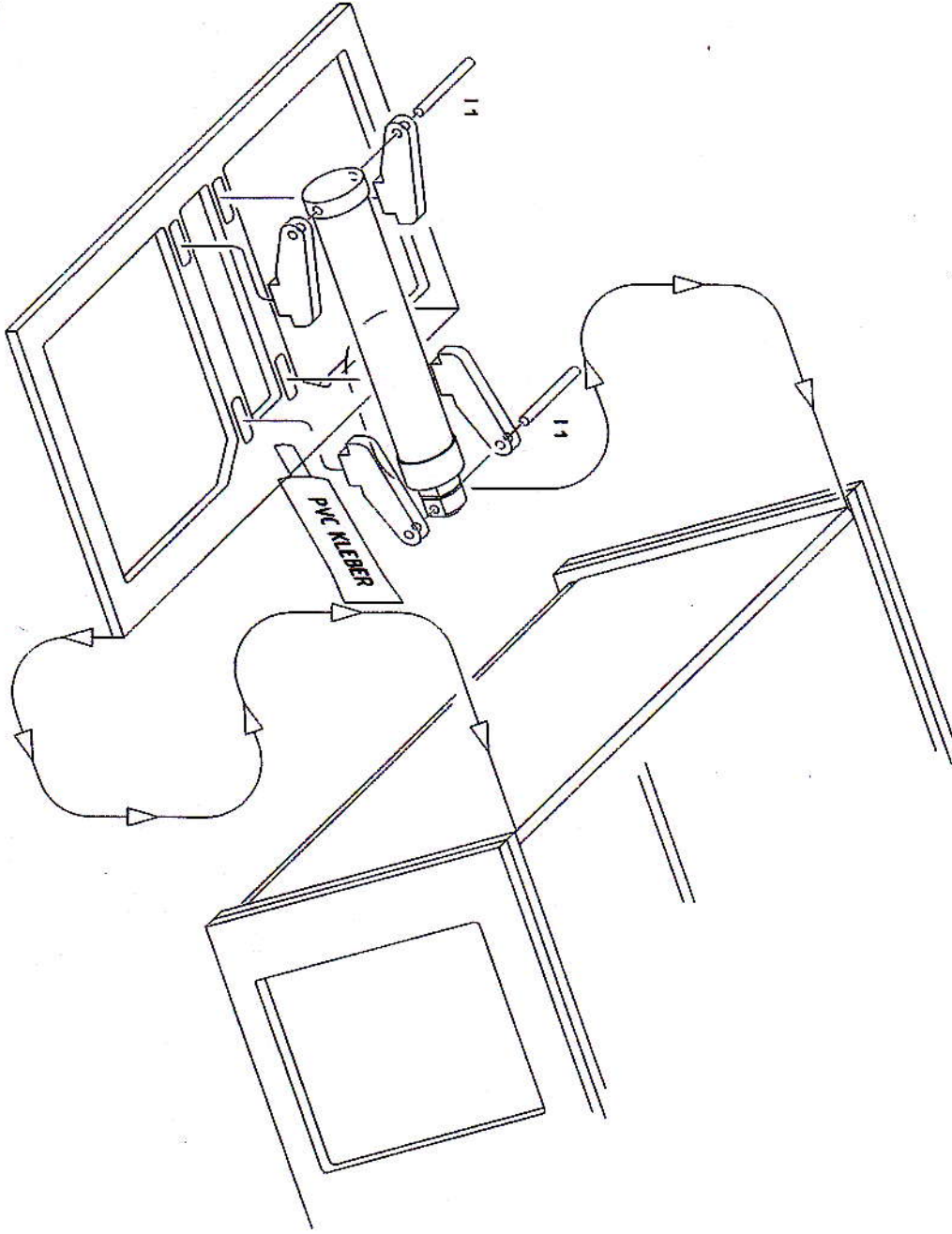
-  H1 2x
-  M3 Stopmutter
-  H2 2x
-  M3 x 14
-  H3 6x
-  M3 x 8








WM POWERED BY VEROMA

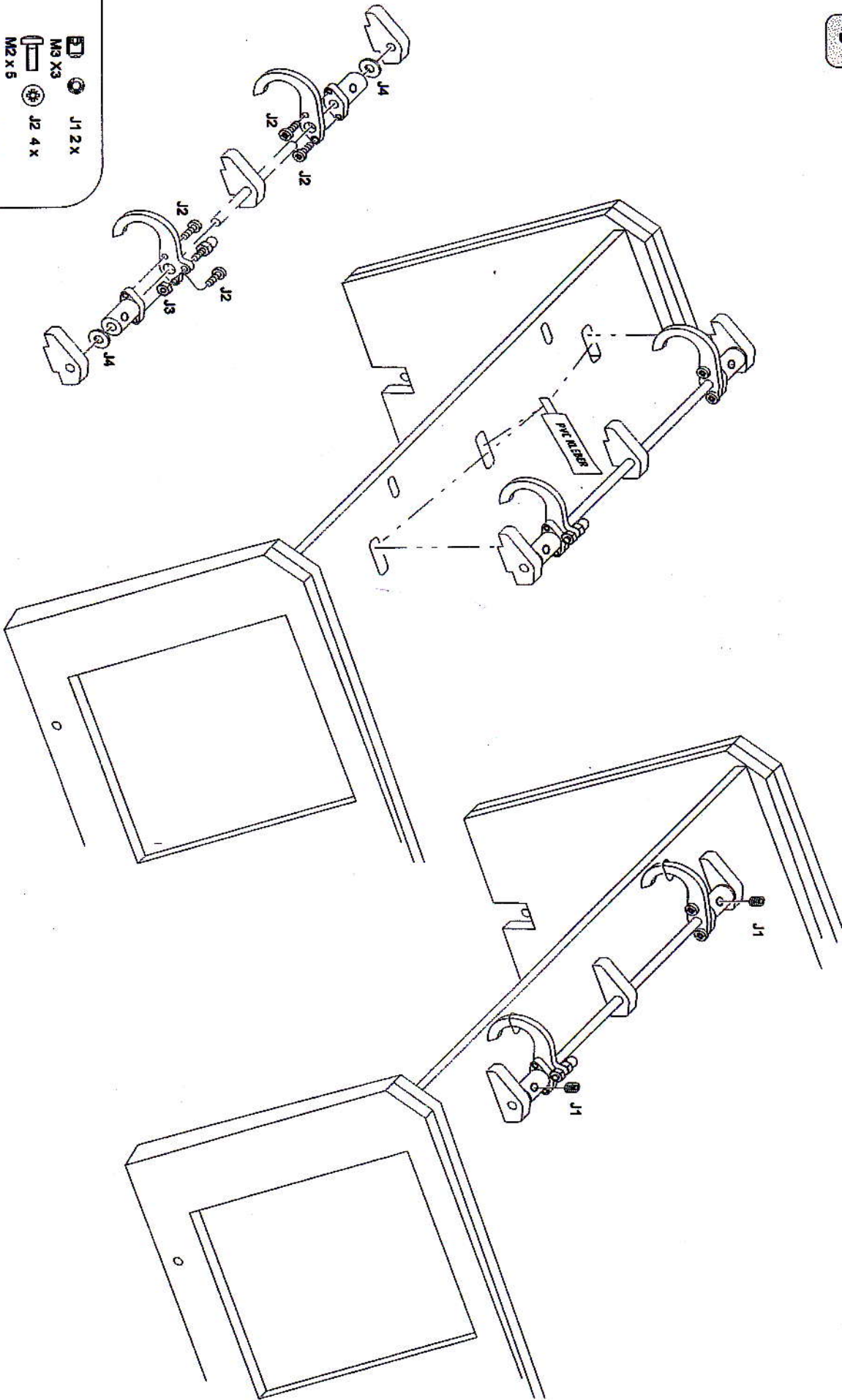


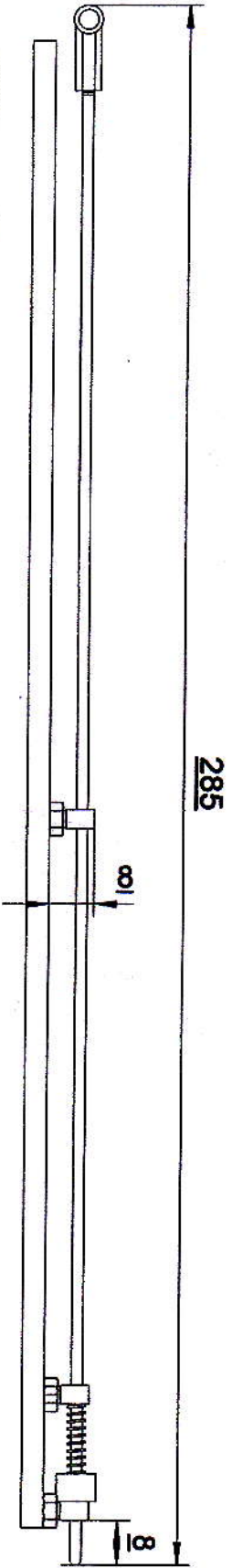
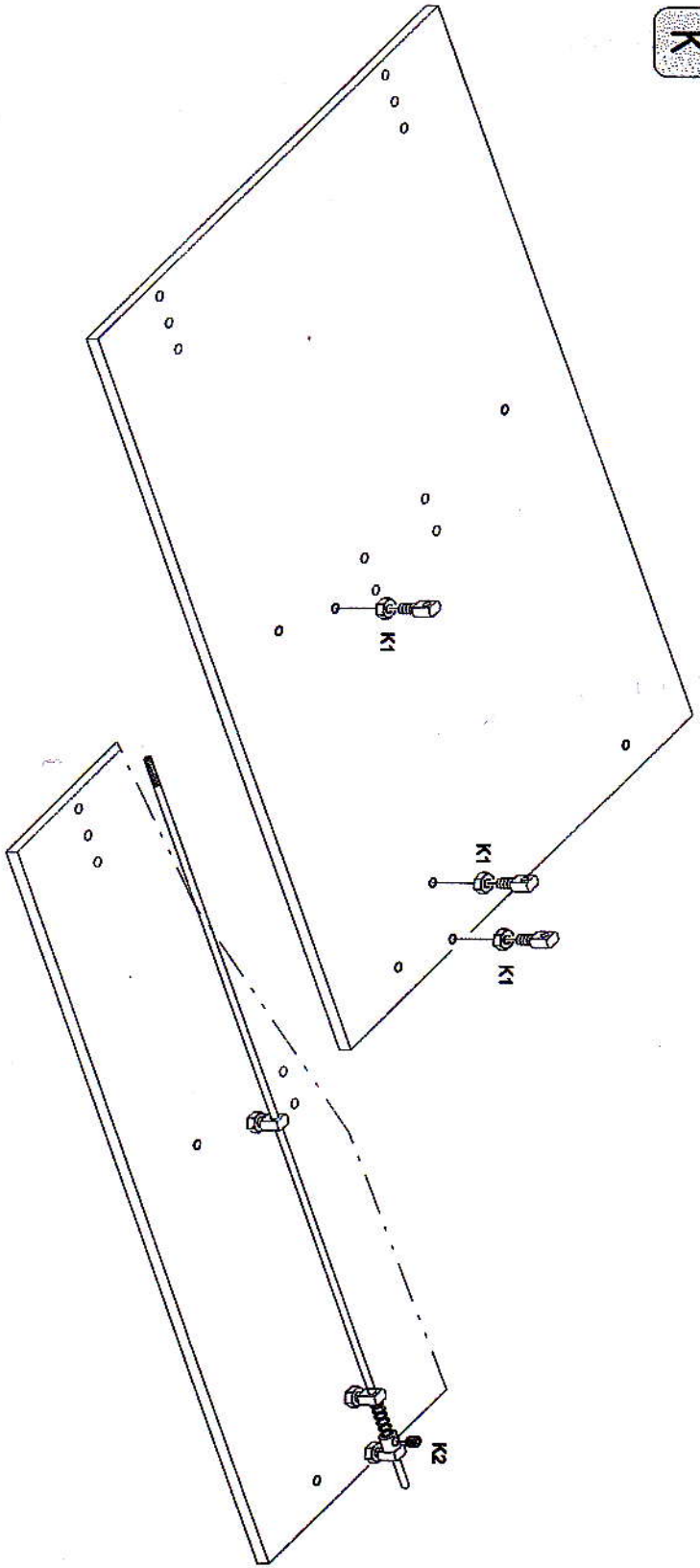
3 x 24

1 1/2 x



-  J1 2 X
-  M3 X3
-  J2 4 X
-  M2 X5
-  J3 1 X
-  J4 2 X
-  D=32





K1 3 x

M3

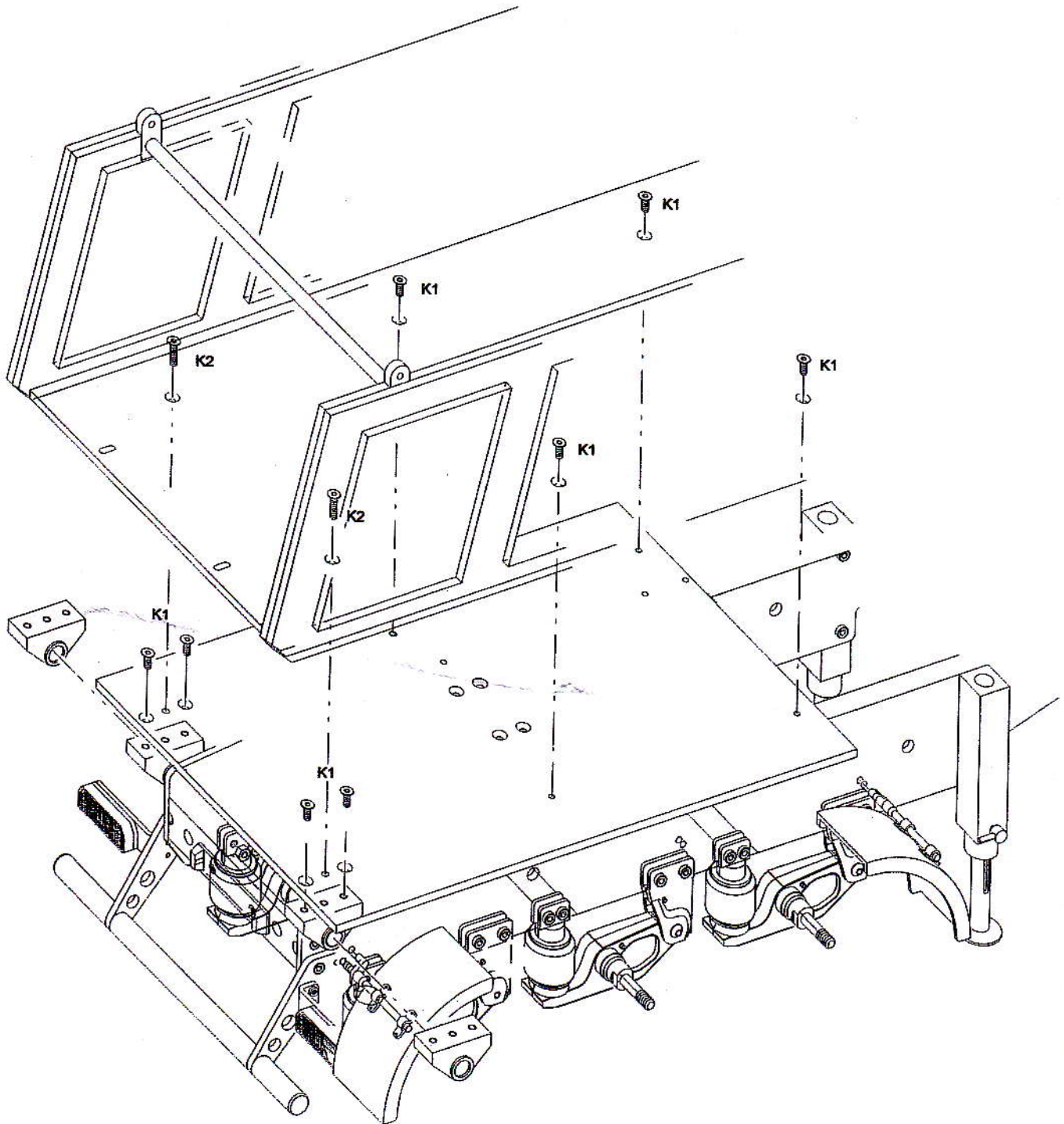
K2 1x

M3x3



M3 x 8
K1 6x

M3 x 12
K2 2x



CARSON

MODEL SPORT

Service-Hotline:

(8.00 Uhr -17.00 Uhr)

(01805) 73 33 00

12 ct/min

CARSON-MODEL SPORT

Mitglied der **SIMBA-DICKIE-GROUP**

Werkstrasse 1 • D-90765 Fürth

www.carson-modelsport.com



SIMBA · DICKIE · GROUP

Eichhorn noris



Schuco®